

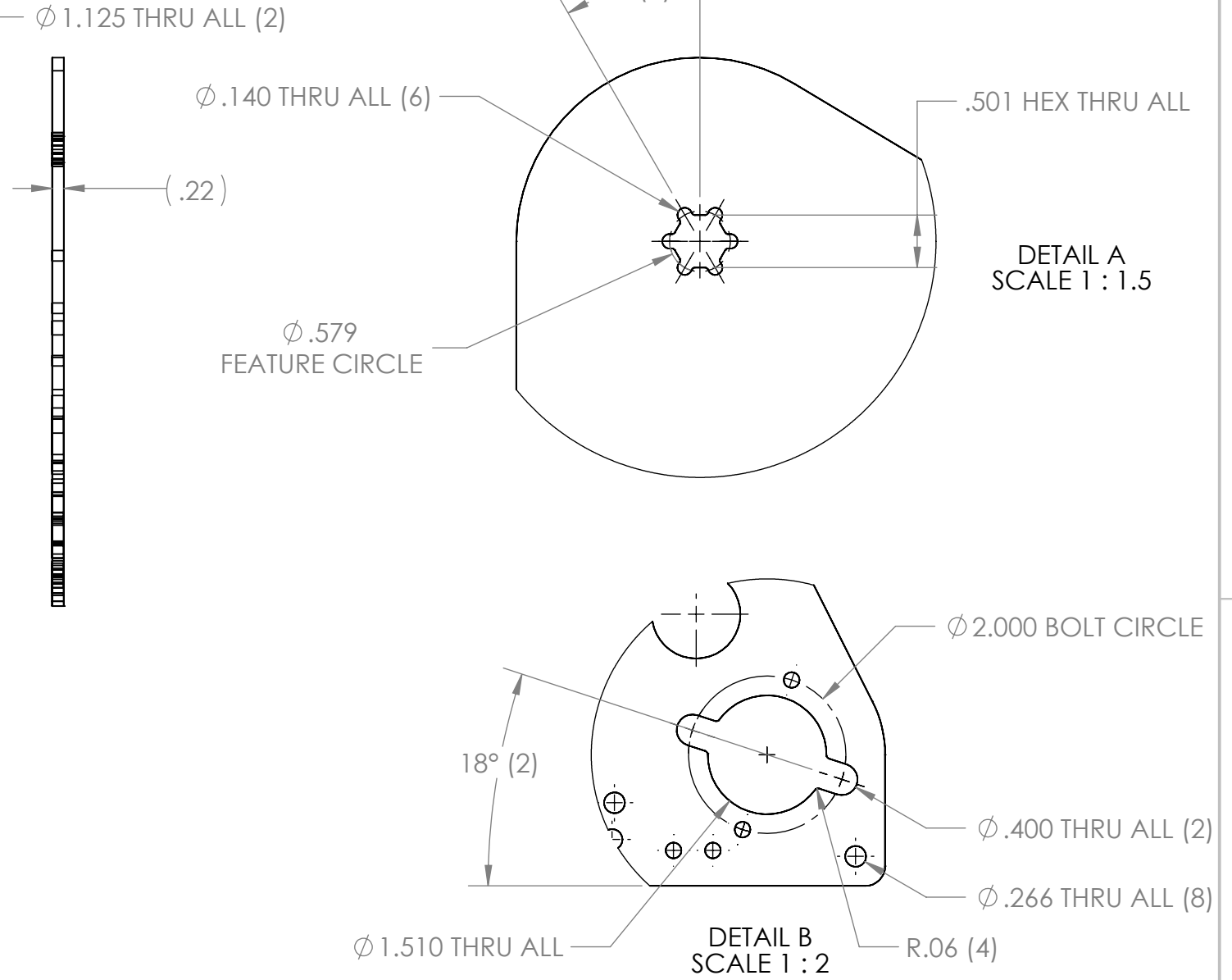
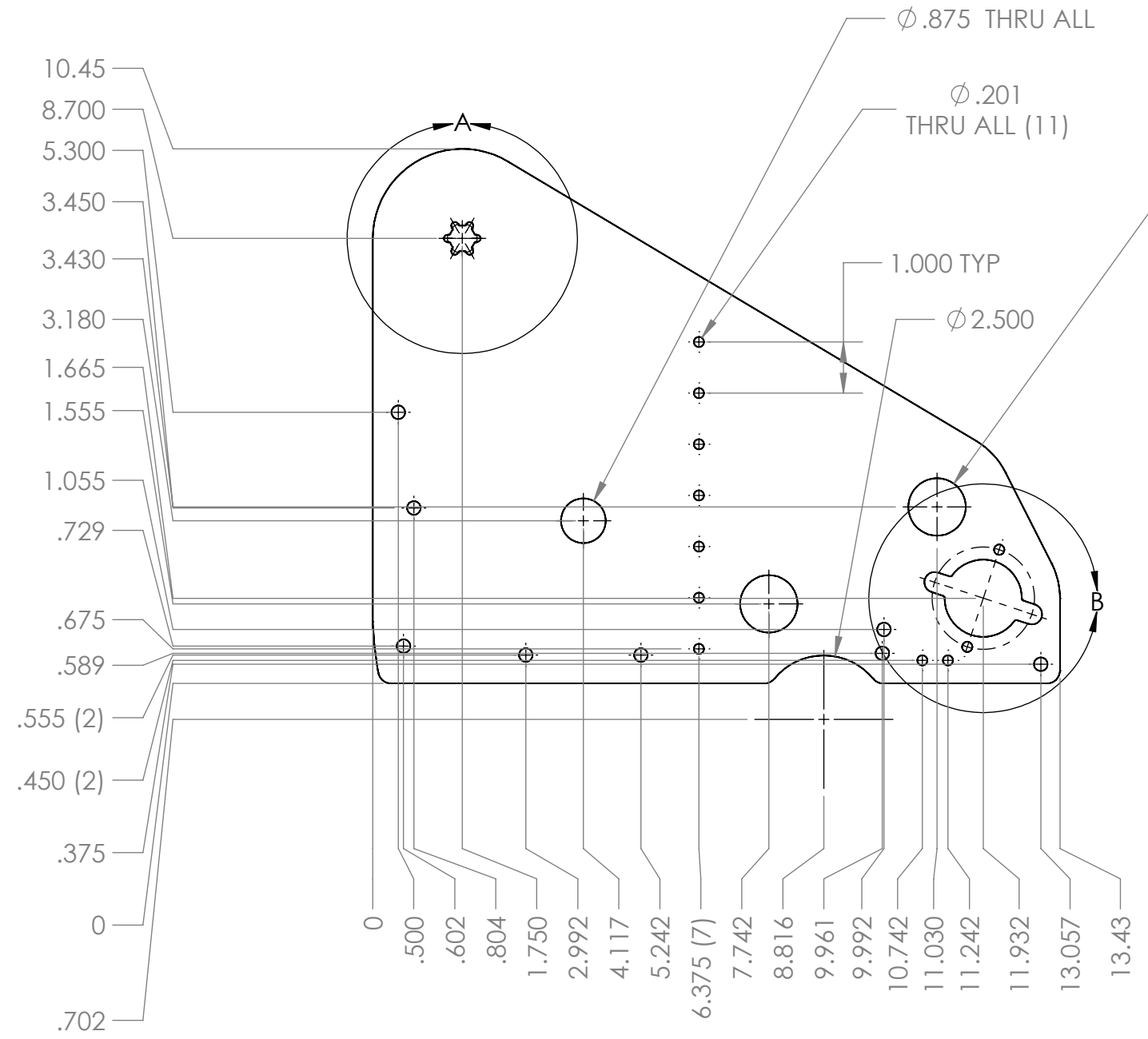
4

3

2

1

REVISION HISTORY			
REV.	DESCRIPTION	DATE	DRAWN BY
1	ORIGINAL PRINT	1/23/2026	P. YEUNG

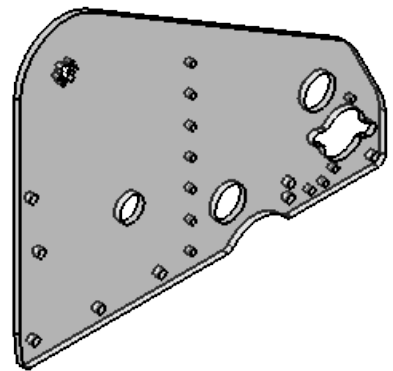


B

B

A

A



*** SEE CAD FOR ADDITIONAL TOOLPATH INFO***

UNLESS OTHERWISE SPECIFIED:		COMMENTS:				
DIMENSIONS ARE IN INCHES		DUAL DIMENSIONS ARE IN MILLIMETERS.				
TOLERANCES:		BREAK ALL SHARP EDGES.		SIZE	DWG. NO.	REV
FRACTIONAL	$\pm 1/16$			B	am-5804_gearbox	1
ANGULAR: MACH	$\pm 1^\circ$	CHECKED	NAME			
ANGULAR: BEND	$\pm 5^\circ$	ENG APPR.	NM			
ONE PLACE DECIMAL	± 0.1	MFG APPR.				
TWO PLACE DECIMAL	± 0.01	Q.A.				
THREE PLACE DECIMAL	± 0.005					
FOUR PLACE DECIMAL	± 0.0005					
MATERIAL	CLEAR PC rm-0031a			SCALE: 1:3 SHEET 1 OF 1		
FINISH	DEBURRED					
DO NOT SCALE DRAWING						

4

3

2

1